



Skylinestrada Street Light

NEW

- Ideal for car parks and pedestrian walkways to ensure safe passage of visitors and staff
- Tilt opening for easy access
- Cool white
- Reduced light pollution
- Precision lens system directs light only where it is needed, reducing overspill
- Long life 50000 hours
- Auto isolation on opening
- Aerodynamic design for reduced windage
- Anti-seize clip




Code	W	Description	lm	Temp	Hours
04449	80	Skyline Strada LED Street Light, IP66, tough, grey anodised finish (60mm side entry)	7500	4000K	50000

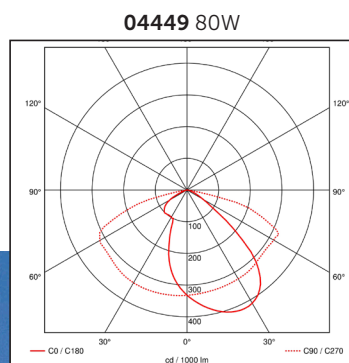
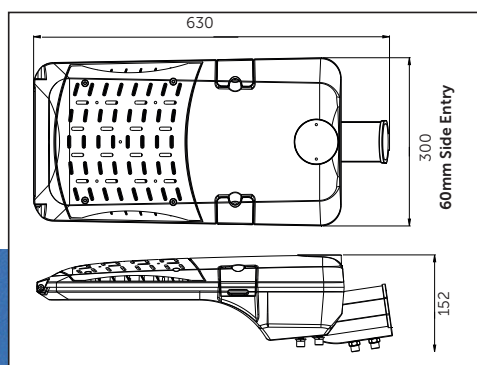




Skylinestrada

Technical Specification

Data	
Construction	Die Cast Marine Grade Aluminium
Driver	Meanwell 
LED Chip	Samsung
IP Rating	IP66
Operating Temp	-30°C to +35°C
Input Voltage	100 - 264V
Power Factor	> 0.9
CRI	85 - Exceeds EU standard of Ra 80 for Colour Rendering Index
LMR	80 - Exceeds EU standard of 70 for Lumens Maintenance Ratio
Windage	0.096M ²



¹ Exceeds EU standard of 70 for Lumens Maintenance Ratio
² Exceeds EU standard of RA 80 for Colour Rendering Index
³ Subject to terms & conditions (Contact Customer Service)